



Guldmann Inc.
 5525 Johns Road
 Suite 905
 Tampa, FL 33634
 Tel. 800 664 8834
 Tel. 813 880 0619
 Fax 813 880 9558
 info@guldmann.net
 www.guldmann.net

GH3 Twin Lifting module Technical specifications

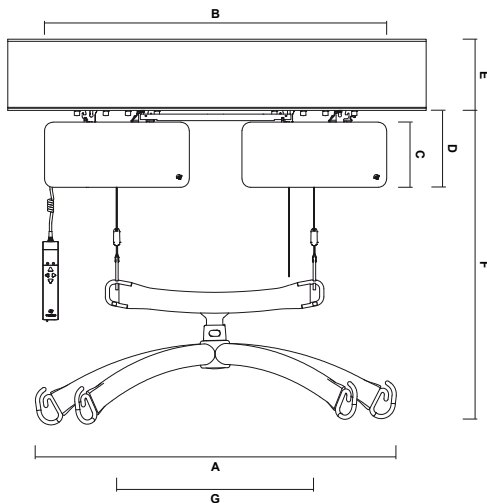
Weight and materials

SWL	: 550 lbs, 1100 lbs
Own weight	: 42.2 lbs

Covers : Impact-resistant UL 94 V-0 flame retardant recyclable plastic

Dimensions

A	: 860 mm
B	: 700 mm
C	: 156 mm
D	: 184 mm
E, min	: 194 mm
F, min	: 630 mm
F, max	: 3130 mm
G	: 473 mm
Depth of hoist	: 205 mm



Functions

Operation	: Hand control / IR
Sound level	: 52 dB (A)

Safety

Emergency stop	: Yes
Emergency lowering device	: Yes, mechanical and electrical
Control of lifting strap	: Yes
Cut-off angle	: 45° along the rail 10° across the rail

Electronics

On/off	: Automatic when used. Soft start/stop. Overload protection.
--------	--

SWL	: 550 lbs
Battery	: 2 x 24 V NiMH
Max charge time	: 4 hours

SWL	: 1100 lbs
Battery	: 4 x 24 V NiMH
Max charge time	: 8 hours

Battery protection : At battery voltage below 22 V the indicator light turns orange. The hoist is stopped if the voltage falls below 20 V

Power supply	: 33 V AC, 2.5 A
Supply voltage, transformer	: 115/230V AC

Protection classification (IP) according to IEC 60529

Lifting module	: IP 20
Hand control	: IP 44
Remote control	: IP 20
Transformer	: IP 20

Labelling

Manufactured in conformity with the provisions in according to the Council Directive 93/42/EEC of 14 June 1993 Class 1

- EN/ISO 10535:2006 Hoists for the transfer of disabled persons - requirements and test methods
- IEC/EN 60601-1-2: 2001, +A1:2006 Medical electrical equipment - Part 1: General requirements for safety - 2: Collateral standard: Electromagnetic compatibility

Classification

Pursuant to ISO 9999

Patents

:	PA 2008 00888
:	PA 2008 00894
:	PA 2008 00895

Time to care



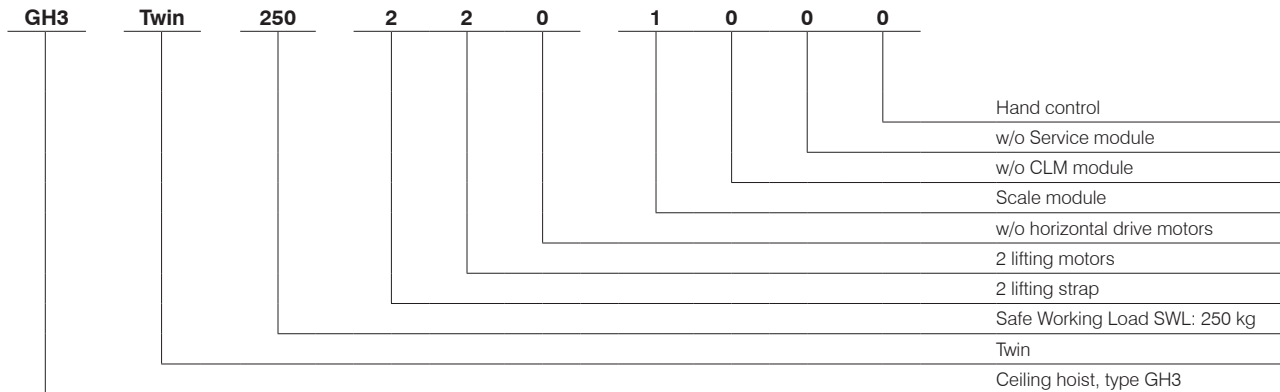
Guldmann Inc.
 5525 Johns Road
 Suite 905
 Tampa, FL 33634
 Tel. 800 664 8834
 Tel. 813 880 0619
 Fax 813 880 9558
 info@guldmann.net
 www.guldmann.net

GH3 Twin Lifting module Technical specifications

GH3 Lifting modules, version type nomenclature									
Guldmann hoist type	Product line	Load in kg (lbs)	Number of lifting straps	Number of lifting motors	Number of horizontal drive motors	Scale module	CLM module	Service module	User interface
GH3	(x)	xxx	x	x	x	x	x	x	x
GH3	Twin	250 (440)	2	2	None : 0	None : 0	None : 0	None : 0	Hand control : 0
		500 (550)	2	2		Scale : 1	CLM : 1	Service : 1	
									IR : 1

Example: GH3 Twin 250 220 1000

GH3	Twin	250	2	2	0	1	0	0	0
-----	------	-----	---	---	---	---	---	---	---



GH3 Twin	
Lifting speed	
185 lbs load	60 mm/sec.
330 lbs load	60 mm/sec.
Max capacity load, SWL	55 mm/sec.
Max 11 lbs load	100 mm/sec.

Number of lift and Intermittent

Max. number of lift in series : 55 with 185 lbs/40"
 Charging time : 2 Hours
 Intermittent : 20/80, 4 Hours

Max. number of lift in series : 28 with 440 lbs & 550 lbs/40"
 Charging time : 2 Hours
 Intermittent : 10/90, 4 Hours

Max. number of lift in series : 40 with 660 lbs - 770 lbs/40"
 Charging time : 4 Hours
 Intermittent : 10/90, 4 Hours